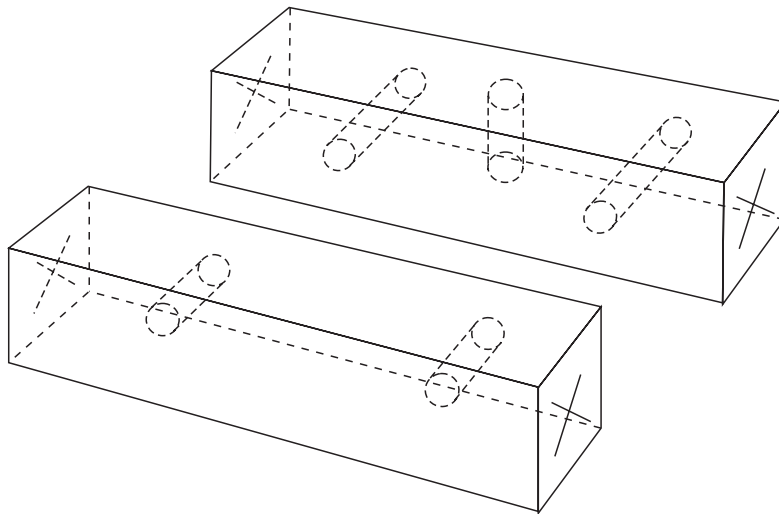


## A PLATE STAND

Cut two blocks 45 x 45 x 220. Mark exact centres on both ends of each block. Cut three pieces of 10mm dowel 140mm long. Dress one end of each dowel, and sand from the dressed end of the dowel to within 15mm of the other end.

Drill 10mm holes into the blocks for later fitting of the dowels. The holes in the front block are 100mm apart and equidistant from both the ends and the edges, and go from the back to just beyond the centre line. Two holes in the back block are in exactly the same locations and go right through the block. Pass the drill through this back block a few times to ensure clearance for the dowel. Check that the dowel will move through these holes. The third hole in the back block is exactly central on the top and drilled to just below the centre line.



Mount the pre-drilled pieces between centres and turn to about 30mm diameter. Chamfer off both ends and begin parting-off cuts. Sand and wax the main surfaces. Part off one end and hand cut the other. Finish the ends off the lathe.

Glue the unsanded ends of the dowels into the three blind holes. Fit the back block over the dowel ends before the glue sets to ensure correct alignment.

