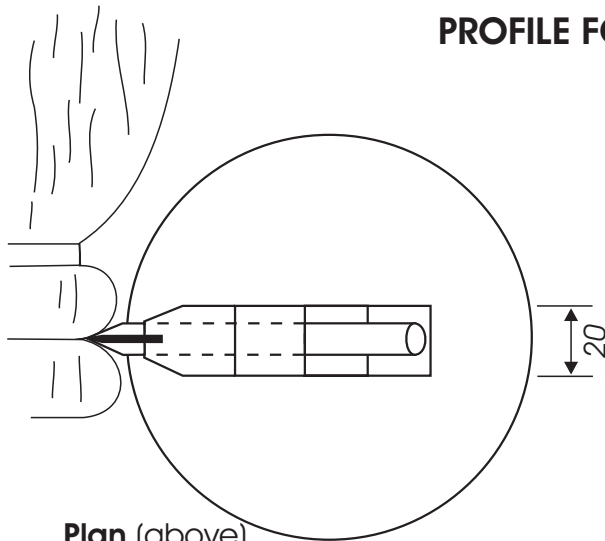




## PROFILE FOLLOWER

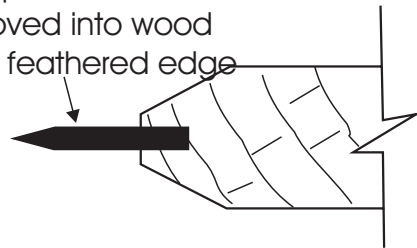


**Plan** (above)  
showing follower in use

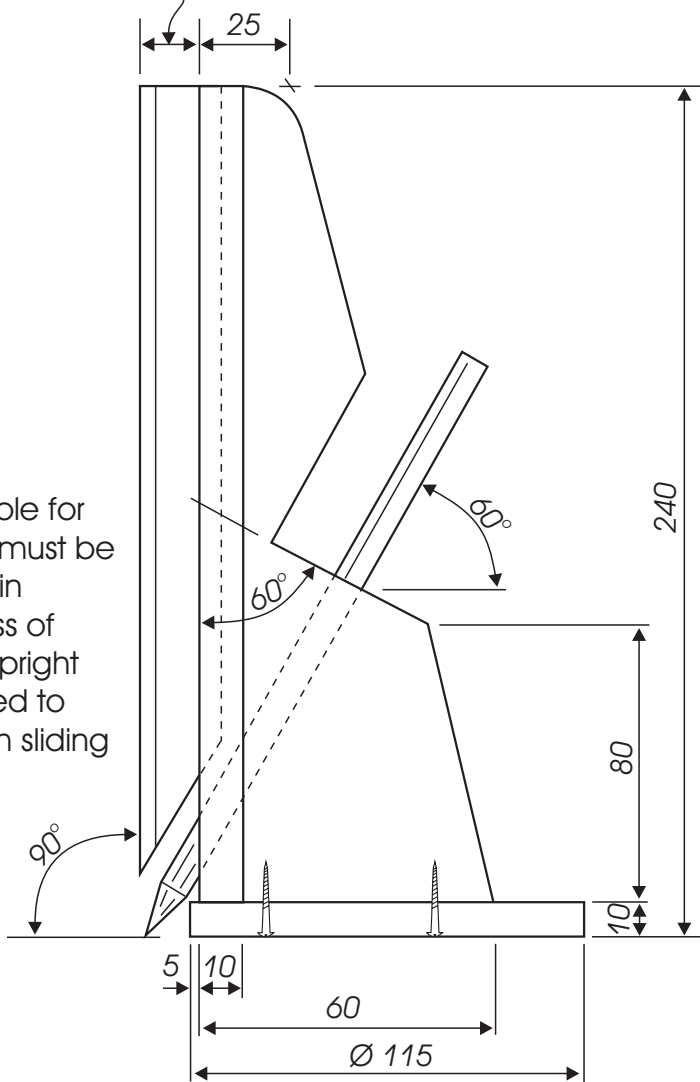
Plastic edge to line up  
with the marker point

*from the original drawing  
by Bob Main,  
South Auckland  
Woodturners Guild*

Thin plastic sheet  
grooved into wood  
and feathered edge



Note: hole for  
marker must be  
central in  
thickness of  
wood upright  
and sized to  
give firm sliding  
fit.



**Elevation**

Note: dimensions  
shown (in mm) are not  
critical.

Critical factors are:

1. follower edge must  
be 90° to base.
2. edge must be  
exactly vertical  
above point where  
marker touches  
paper.