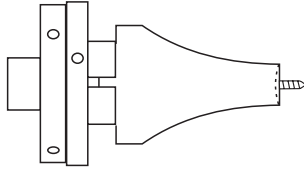




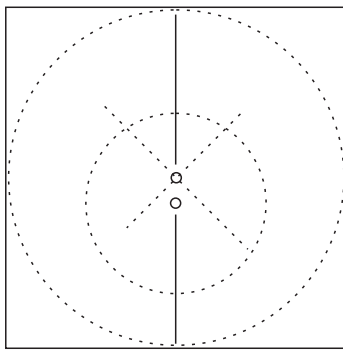
JEWELLERY CHUCKS

A DESIGN FROM GERRY MARLOW OF SHEFFIELD WOODTURNING CLUB, UK

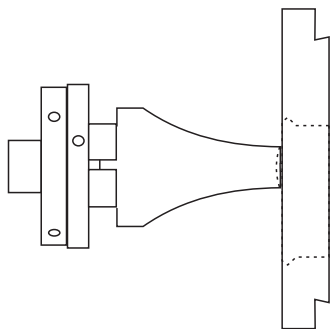
This screw and offset chuck is used to make 50mm dia wooden pendant jewellery with an offset hole in the wood (see Project Sheet "Pendant Jewellery"). For other sizes of jewellery the chuck sizes will need to change.



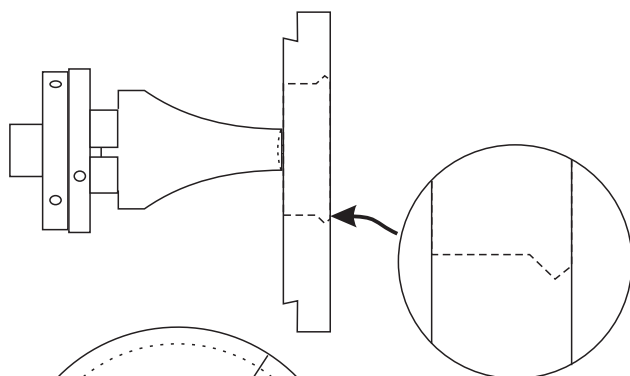
Make a narrow-ended screw chuck which can be held in a scroll chuck.
The face of this should be about 20mm diameter and slightly dished.
Note the drill size needed to mount wood on this screw.



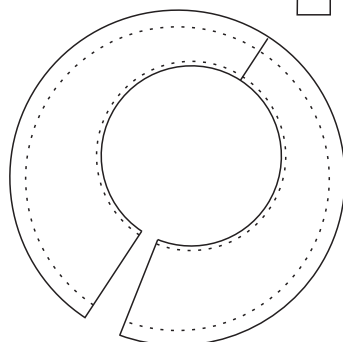
Cut a piece of 10mm thick plastic chopping board to about 100mm square.
Drill a central hole of the size required to mount it on the screw chuck.
Drill a second hole of the same size 6mm off-centre.
Draw a permanent line through these two holes to the edges of the plastic.



Mount the plastic by its central hole on the screw chuck. Have the line you drew towards the headstock.
Cut the plastic round and keep it as large as possible.
Cut a spigot about 88mm diameter suitable for mounting the plastic in a 100mm jaw chuck



Re-mount the plastic the other way around but this time using the offset drilled hole. The drawn line should now be facing the tailstock.
Cut a shallow but sharply-angled dovetail into this face. The widest point within this dovetail should be 50mm and this point should be less than 2mm back from the face of the plastic.
Part the plastic off by driving a parting tool through behind the dovetail.



Saw a gap 5 to 10mm wide into the larger side of the circle. If one sawcut follows the drawn centre line this will make the chuck easier to use. Do not cut through the narrower side of the circle